

TRANSMISSION TEMPERATURE SENSOR ADAPTER KIT #1007 INSTALLATION INSTRUCTIONS

PLEASE READ ALL THESE INSTRUCTIONS THOROUGHLY BEFORE YOU START WORK.
DON'T RUSH - ENSURE YOU HAVE FULL UNDERSTANDING OF THE WORK AHEAD BEFORE YOU COMMENCE.

Kit Components

- ⊕ 1 - 1/4" NPT Tee Block Adapter
- ⊕ 2 - 1/4" NPT to 3/8" Push on barb fitting
- ⊕ 2 - Hose Clamps

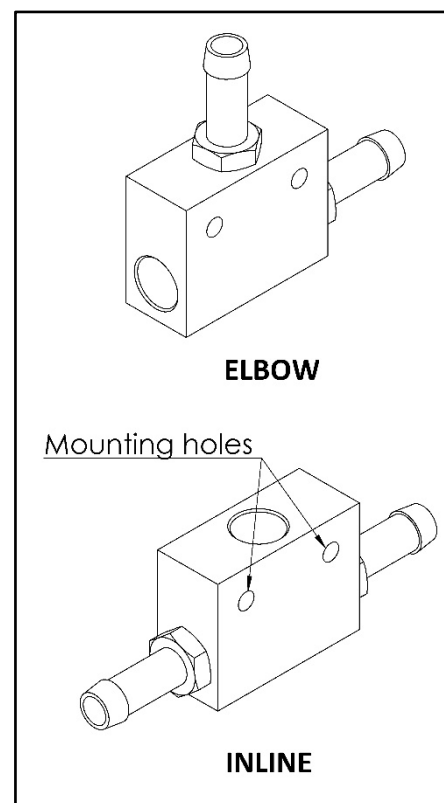
Sensor Fitment – Required Parts

- ⊕ Davies, Craig Digital Thematic Switch #0445
 - No additional parts required
- ⊕ Davies, Craig Mechanical Thematic Switch #0401
 - Requires Part #0418 – 1/4" NPT Compression Fitting.
- ⊕ Davies, Craig Digital Thermal Switches #0444 and #0500
 - Requires Part #0465 – 1/4" NPT Thermal Sensor Upgrade Kit.
- ⊕ Suitable for use with 1/8" NPT thermal sensors (#0468).
 - Requires a 1/4" NPT to 1/8" NPT thread reducer fitting. (Not available from Davies, Craig)



Sensor Adapter Installation

- ⊕ Check the transmission hose size to confirm compatibility with the 3/8" Push on fittings provided.
 - For other sizes you need to supply suitable 1/4" NPT Push on fittings
- ⊕ Determine a convenient location to install the Adapter into the hose.
 - To insure the most accurate transmission temperature reading, plumb the Tee Block Adapter into the transmission outlet line.
- ⊕ Install both Push on fittings into the Tee Block Adapter in either the Inline or Elbow configuration options as shown.
 - To ensure a good seal, use Teflon thread tape or thread sealant.
- ⊕ Install your Thermal Sensor (not supplied) into the remaining port, making sure not to over tighten or damage the Thermal Sensor.
 - To ensure a good seal, use Teflon thread tape or thread sealant.
- ⊕ Cut the transmission hose and catch any fluid and install the Tee Block Adapter Assembly into the hose and tighten the hose clamps.
 - It is Recommended you install the Adapter Assembly with the Sensor port in the downwards position to prevent any air becoming trapped.
 - You can use the two 5mm holes in the Square Tee to mount the Adapter assembly. (Hardware not supplied)
 - When mounting the Adapter Assembly, you will need to leave enough loose hose to allow for movement of the transmission
- ⊕ Top up your transmission with the appropriate Automatic Transmission Fluid. Start engine and allow it to warm up. Thoroughly inspect the transmission hose and Adapter Assembly for any leaks. Tighten any hose clamps and fittings if required.



These installation instructions will suit most applications but there are circumstances surrounding some engine designs, environments, and the nature of the system involved, which may require other installation arrangements not outlined here. Frequently Asked Questions (FAQ) are listed on our website www.daviescraig.com.au. Emails can be directed to info@daviescraig.com.au or Telephone +61 (0) 3 9369 1234 during business hours.

WARRANTY

Davies, Craig Pty Ltd warrants for a period of Three years or 2000 hours continuous running (whichever is the lesser) from the date of purchase. Davies, Craig shall carry out, free of cost, any repairs that are reasonably necessary to correct any fault in the operation of your Davies, Craig product provided that such a fault is directly attributable to a defect in the workmanship or materials used in the manufacture of the part(s). This warranty is void if the product is misused, altered, tampered with or is installed or used in a manner that is inconsistent with Davies, Craig's written recommendations and/or installation instructions. Labour and consequential costs are excluded.

DAVIES, CRAIG PTY. LTD. To make a warranty claim, go to: daviescraig.com.au/warranty



WHY IS DAVIES CRAIG *THE WORLD'S BEST AUTO COOLING?*

Davies Craig is at the forefront of automotive cooling technology. Having been in the industry for nearly 50 years, Davies, Craig products are trusted by some of the world's leading automotive distributors and are fitted to iconic performance vehicles around the globe.

The ability to innovate and a commitment to technology, quality and service have made Davies Craig the industry leader in automotive cooling. Whatever your automotive cooling needs, Davies, Craig has the product for the job.

AUTO COOLING EXPERTS *IT'S WHAT WE DO!*

- ⚡ At the forefront of automotive technology
- ⚡ First to develop Electric Fan and Electric Water Pump
- ⚡ Nearly 50 years in the automotive cooling industry
- ⚡ Global leader in automotive cooling patented products
- ⚡ Trusted by the world's leading automotive distributors
- ⚡ Fitted to iconic performance vehicles around the globe
- ⚡ Trusted in almost all forms of motorsport
- ⚡ Hundreds of testimonies from leading motorsport teams owners and drivers

For all your automotive cooling needs, visit;
www.daviescraig.com.au