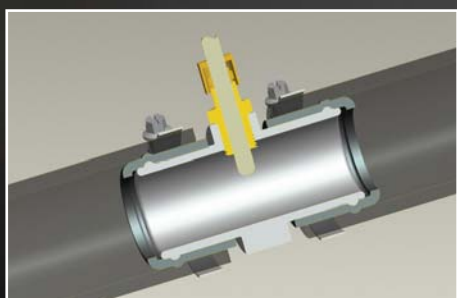


All-in-One Temperature Sensor Adaptor Kit



**USE IN CONJUNCTION WITH
DAVIES CRAIG THERMO SWITCH
(Part No. 0401)
AND EWP Digital CONTROLLER
(Part No. 8020)**

**EASY TO INSTALL
NO MORE LEAKS
UNIVERSAL FIT
ECONOMICAL**

0401 Thermo Switch shown

Now there's an easy way to install your thermo Sensor.

Davies,Craig has developed an easy way to fit your thermal switch without the need to insert the capillary between the radiator hose and radiator inlet.

This product has been designed specifically to suit the Davies,Craig Thermo Switch Kits Part No.s 0401 and 0404 and the thermister of the EWP Digital controller part No 8020 – but is suitable for a host of other uses.

Simply by cutting the radiator hose, inserting the adaptor housing into the radiator hose ends, fitting the sensor in the compression fitting and tightening the radiator hose clamps provided – the job is done. We even provide sleeves which allow this kit to suit radiator hose diameters from 32 to 40 mm.

The thread of the adaptor is 1/4" BSP and any temperature sensor/switch fitting can be fitted directly to the adaptor. Alternatively the tapped hole provided can be plugged using a proprietary plug and hole re-drilled and tapped to suit the thread required.

And as the the adaptor is made from nylon it will not cause electrolysis and damage alloy engine parts.

As with all Davies,Craig products, everything you will require for DIY fitting is included in the kit. All you need to do is order Part No. 0409 at any good automotive parts stockist.



For any assistance or advice contact Davies,Craig or visit our web site at www.daviescraig.com.au

SPECIFICATIONS

Part Number 0409

Technical Specifications:

Adaptor Material:	Nylon 66 30% glass filled
Compression Fitting:	Brass
Adaptor Sleeve:	EPDM 3mm wall
Thermal Sensor Diameter:	6mm or 6.35mm diameter
Fits Hose Sizes:	32mm to 40mm diameter
Operating Temperature:	-20°C to 150°C
Max. Radiator Cap Pressure:	400 Kpa
Radiator Hose Clamps:	Stainless steel
Warranty:	2 years from date of purchase

Installation:

NOTE: For detailed fitting instructions refer to those provided in the kit

1. Select olive (1/4" or 6 mm) to suit thermo sensor/capillary.
2. Fit thermo sensor/capillary into compression fitting.
3. Tighten compression fitting with sensor positioned at around the centre of coolant flow.
4. When cooling system is cold remove inlet radiator hose from radiator.
5. Confirm size of radiator hose is between 32 to 40 mm diameter (if not contact Davies,Craig)
6. In a straight section of the hose cut out around 17 mm of hose.
7. Temporarily slide on radiator hose clamps and fit hose ends onto adaptor.
8. Tighten hose clamps onto adaptor and refit radiator inlet hose.
9. Confirm tightening of all hose clamps and run vehicle to check for any leaks.

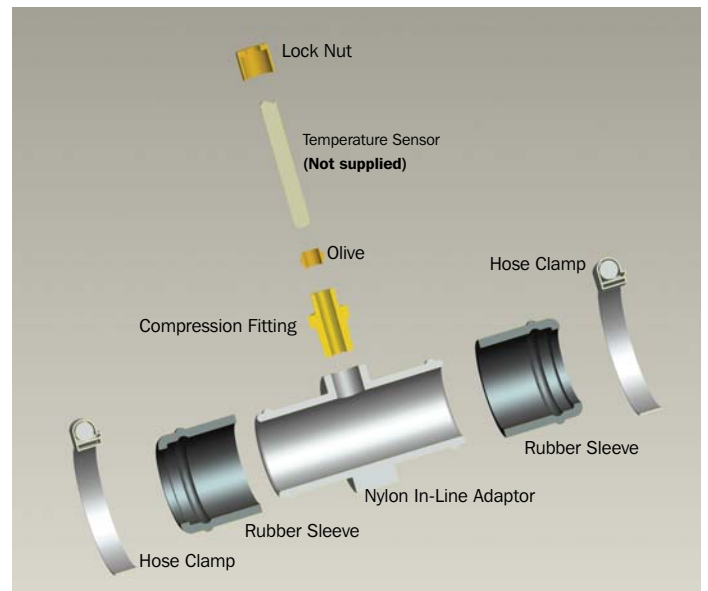
Temperature Sensor Adaptor Kit Contents:

- #0410 In-Line nylon adaptor
- #8510 3 mm thick rubber sleeve adaptors x 2
- #0411 Olive 6.0 mm
- #8913 Compression fitting with 6.35 mm olive
- #8512 Hose clamps x 2
- #0990 Fitting instructions



Designed and Manufactured in Australia

US Patent No.: 6425353, Australian Patent No.: 756456, European Patent Pending.
EWP is a Registered Trade Mark of Davies Craig Pty. Ltd., ACN. 004 918 825



Your local stockist is



Australian Head Office

77 Taras Avenue,
Altona North Victoria 3025 Australia

Correspondence:

Box 363, Altona North, VIC 3025 Australia

Telephone: +61 3 9369 1234 Facsimile: +61 3 9369 3456

Email: info@daviescraig.com.au Web: www.daviescraig.com.au



Quality
Endorsed
Company

Lic No. 4528

Manufactured under a
Quality System certified as
complying with ISO 9001
by an accredited
certification body.

For more information visit: www.daviescraig.com.au

For overseas distributor details refer [Davies,Craig website](http://www.daviescraig.com.au).