

TEMPERATURE SENSOR ADAPTOR KIT INSTALLATION INSTRUCTIONS

**PLEASE READ ALL THESE INSTRUCTIONS THOROUGHLY BEFORE YOU START WORK.
DON'T RUSH - ENSURE YOU HAVE FULL UNDERSTANDING OF THE WORK AHEAD BEFORE YOU
COMMENCE. ENSURE YOU HAVE ALL TOOLS AND COMPONENTS REQUIRED.**



Sensor Fittings:

- ⊕ Adaptor port has 1/4" NPT thread
- ⊕ Davies, Craig Mechanical Thermal Switches: use the 6mm olive.
- ⊕ Davies, Craig Digital Thermal Switches use the 5mm olive.

UNIVERSAL ADAPTOR APPLICATIONS

Top Radiator Hose:

Top Radiator Hose Measurements to Sleeve inside diameter (ID).

30 to 35 mm (ID) – use adaptor without sleeves.

38 to 47 mm (ID) – use 2 sleeves included in the kit

47+mm (ID) – Part #18511 – 6mm Sleeve required

ADAPTOR INSTALLATION

Sensor Fitting

Remove lock nut and olive from compression fitting body supplied. Screw the compression fitting body into the threaded port in the inline adaptor and tighten. In the remaining port you need to install the bung (supplied) or Air bleed Fitting Part #10412 (not supplied). You may require some thread tape or sealant to achieve a water tight seal. Be sure not to over tighten the fitting.

Slide the thermal sensor through the lock nut, then through the olive. Insert sensor assembly into compression fitting body until it bottoms out. Screw the lock nut onto the compression fitting body. It is important that whilst tightening the lock nut, the compression fitting body is prevented from rotating to avoid over tightening.

Hose Fitting

When the cooling system is cold, remove top radiator hose and confirm that the inside diameter of your top radiator hose is between 30 to 47mm prior to cutting hose. If ID is larger, part #18511 (6mm sleeve) will be required.

If the parts supplied (adaptor and sleeves) are suitable, cut your radiator hose to remove around 17mm in length at an appropriate location. Preferably select a location in a straight section of the hose.

Temporarily slide radiator hose clamps on each end of the hose. Fit both cut ends of hose onto adaptor (with or without sleeves as appropriate). If fitting is tight, heat hose ends in hot water or use silicon-based grease or petroleum jelly to assist fitment of adaptor to hoses.

Refit top radiator hose, ensure no twisting of the hose occurs and tighten all hose clamps.

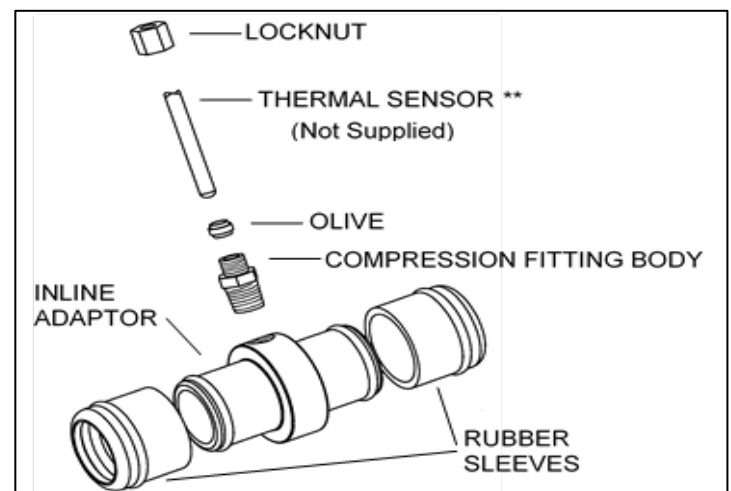
Start engine to confirm no leakage at the radiator hose, compression fitting, or sensor.

After running vehicle, confirm there are no leaks. Re-tighten hose clamps if required.

THERMATIC® SWITCHES

The Temperature Sensor Adaptor Kit can be used with Parts #0401, #0404, #0444, #0455 and #0500.

*Included in Part #0400



These installation instructions will suit most applications but there are circumstances surrounding some engine designs, environments, and the nature of the system involved, which may require other installation arrangements not outlined here. Frequently Asked Questions (FAQ) are listed on our website www.daviescraig.com.au . Emails can be directed to info@daviescraig.com.au or Telephone +61 (0) 3 9369 1234 during business hours.

WARRANTY

Davies, Craig Pty Ltd warrants for a period of two years or 2000 hours continuous running (whichever is the lesser) from the date of purchase. Davies, Craig shall carry out, free of cost, any repairs that are reasonably necessary to correct any fault in the operation of your Davies, Craig product provided that such a fault is directly attributable to a defect in the workmanship or materials used in the manufacture of the part(s). This warranty is void if the product is misused, altered, tampered with or is installed or used in a manner that is inconsistent with Davies, Craig's written recommendations and/or installation instructions. Labour and consequential costs are excluded. **DAVIES, CRAIG PTY. LTD.**

Register your warranty at: daviescraig.com.au under the support tab



AUTO COOLING EXPERTS ***IT'S WHAT WE DO!***

- At the forefront of automotive technology
- First to develop Electric Fan and Electric Water Pump
- Nearly 50 years in the automotive cooling industry
- Global leader in automotive cooling patented products
- Trusted by the world's leading automotive distributors
- Fitted to iconic performance vehicles around the globe
- Trusted in almost all forms of motorsport
- Hundreds of testimonies from leading motorsport teams owners and drivers

For all your automotive cooling needs, visit;
www.daviescraig.com.au